

REFRIGERATOR 160 LA

INSTRUCTION BOOK

**This instruction book contains safety precautions, information on use and helpful hints and tips.
To ensure you use this appliance effectively and safely, please read this instruction book carefully
before installing or using the appliance and retain it for future reference.**

The symbols below help you to find things more easily:



Safety precautions

Warnings and safety information.



Hints and useful information



Environmental information



Ideas

This symbol indicates information regarding food and its storage.

IMPORTANT SAFETY INFORMATION

These warnings are provided in the interest of your safety. Ensure that you understand them all fully before installing or using the appliance. Your safety is of paramount importance. If you are unsure about any of the meanings or these warnings contact the Customer Care Department.

Prior to installation

- Check the appliance for transport damage. Under no circumstances should a damaged appliance be installed. In the event of damage please contact your retailer.

Installation

- This appliance is heavy. Care should be taken when moving it.
- It is dangerous to alter the specifications or attempt to modify this product in any way.
- Ensure that the appliance does not stand on the electrical supply cable. If the supply cable is damaged, it must be replaced by a cable available from your local Service Force Centre.
- Any electrical work required to install this appliance should be carried out by a qualified electrician or competent person.
- Parts which heat up should not be exposed. Whenever possible, the back of the appliance should be close to a wall, but leaving the required distance for ventilation, as stated in the installation instructions.
- The appliance should be left for 2 hours after installation before it is turned on, in order to allow the refrigerant to settle.

Child Safety

- This appliance is designed to be operated by adults. Children should not be allowed to tamper with the controls or play with the product.
- Do not allow children to tamper with the controls or play with the product.
- There is a risk of suffocation. Keep packaging material away from children.

During Use

- This appliance is designed for domestic use only, specifically for the storage of edible foodstuffs. It is not intended for commercial or industrial use.
- Containers with flammable gases or liquids can leak at low temperatures. Do not store any containers with flammable materials, such as spray cans, fire extinguisher refill cartridges etc in the appliance.

Maintenance and Cleaning

- Before cleaning, always switch off the appliance and disconnect from the electrical supply.
- When unplugging always pull the plug from the mains socket, do not pull on the cable.

Servicing

- This product should be serviced by an authorised engineer and only genuine spare parts should be used.
- Under no circumstances should you attempt to repair the appliance yourself. Repairs carried out by inexperienced persons may cause injury or serious malfunctioning. Contact your local Service Force Centre.

At the End of the Appliance's Life


- When disposing of your appliance use an authorised disposal site.
- Remove the plug and ensure that any locks and catches are removed, to prevent young children being trapped inside.



The appliance and the Environment

This appliance does not contain gasses which could damage the ozone layer.

Avoid damaging the cooling unit.

The packaging used on the appliance marked with this symbol is recyclable ().

Keep this instruction book for future reference and ensure that it is passed in to any new owner

Contents

Instructions for the User

Guide to use the Instruction Book	2
Important Safety Information	3
Description of the Appliance	5
Using the Appliance	6
Before first use	6
To start the appliance	6
Thermostat control	6
Normal operating sounds	6
Defrosting	6
Useful information and advice	7
Storage time chart	8
Maintenance & Cleaning	9
Something Not Working	10
Service & Spare Parts	11
Guarantee Conditions	12

Instructions for the Installer

Technical data	13
Installing the appliance	13
Transportation and unpacking	13
Cleaning	13
Location of the appliance	13
Ventilation	14
Levelling	14
Door Reversal	14
Electrical Connection	15

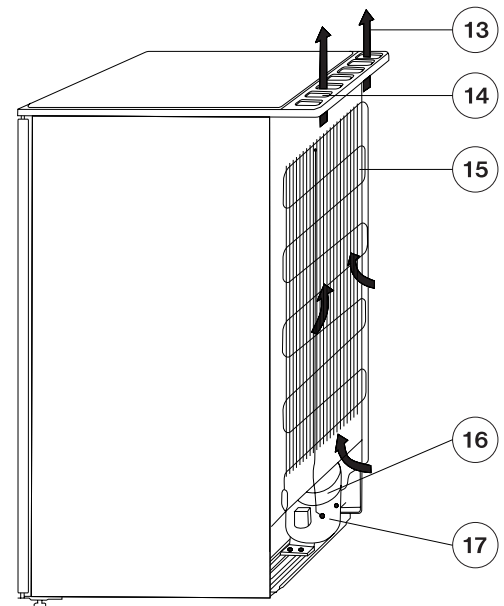
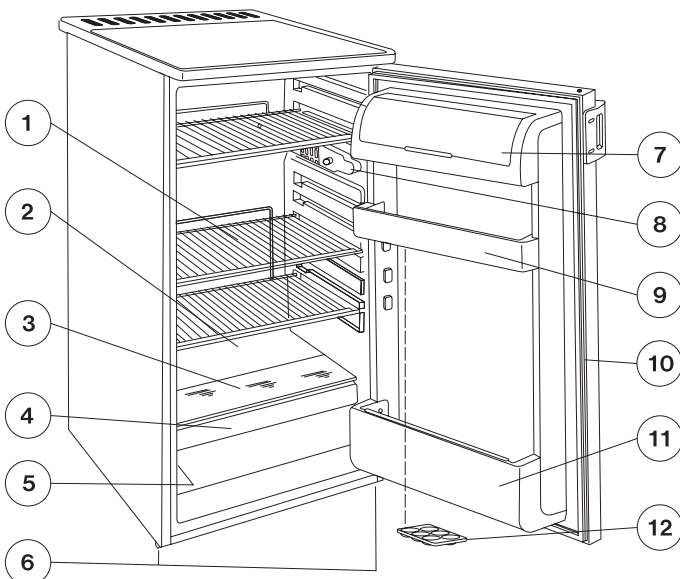
Instructions for the User

General information

This appliance is designed for the refrigeration of food in a domestic home.

To ensure correct operation, the appliance should be located where the ambient temperature is between 10-32 °C.

Description of the appliance



- 1. Wire shelf
- 2. Defrost water outlet
- 3. Glass shelf
- 4. Salad bin
- 5. Rating plate
- 6. Adjustable feet
- 7. Butter compartment
- 8. Thermostat control and interior light
- 9. Door gasket

- 10. Door shelf
- 11. Bottle shelf
- 12. Egg tray
- 13. Ventilation
- 14. Ventilation grille
- 15. Condenser
- 16. Evaporator tray
- 17. Compressor

Using the appliance

Before first use

Remove all securing tapes.

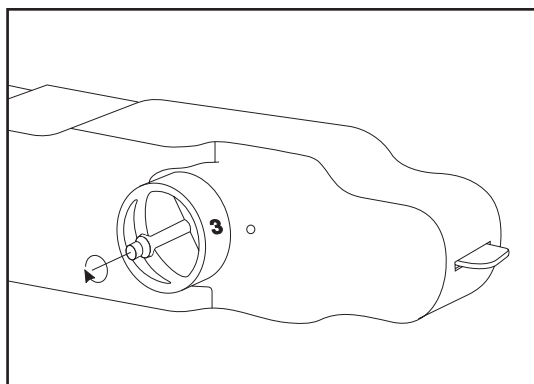
Wash the inside of the appliance with lukewarm water to which a little bicarbonate of soda has been added (5 ml to 0.5 litre of water). Do not use soap or detergent as the smell may linger. Dry the appliance thoroughly.



Do not use detergents, abrasive powders, highly perfumed cleaning products, wax polishes or products containing alcohol.

To start the appliance

1. Allow the appliance to stand for 2 hours after installation.
2. Plug in the appliance and switch on at the mains supply.
3. Turn the thermostat control to the required setting. A setting of 3 is usually suitable for normal operation (see thermostat control).
4. Leave the appliance for approximately 4 hours for the correct temperature to be reached before placing food inside.



Thermostat Control

The thermostat control situated inside the refrigerator regulates the temperature of the appliance. The thermostat control is marked from 1-5, the highest number being the coldest setting.

- Position 0 - Off
- Position 1 - Cold
- Position 5 - Coldest

The thermostat setting can vary as the temperature inside the cabinet depends on the following factors:

- room temperature
- how often the door is opened
- how much food is stored
- position of the appliance

During prolonged periods of abnormally hot weather, if the thermostat is set on too high a number, the cooling system may operate continuously and the fridge cooling plate may not defrost. Turning the thermostat control to a lower number will cause the automatic defrosting to resume.

Normal operating sounds

You may hear faint gurgling or bubbling sounds when the refrigerant is pumped to the cooling plate through the coils or tubing at the rear.

When the compressor is on, the refrigerant is being pumped round, and you will hear a whirring sound or pulsating noise from the compressor.

A thermostat controls the compressor, and you will hear a faint 'click' when the thermostat cuts in and out.

Defrosting

The refrigerator defrosts every time the compressor stops. The water is discharged, via the water outlet, to the evaporation tray over the compressor where it evaporates.

Useful information and advice

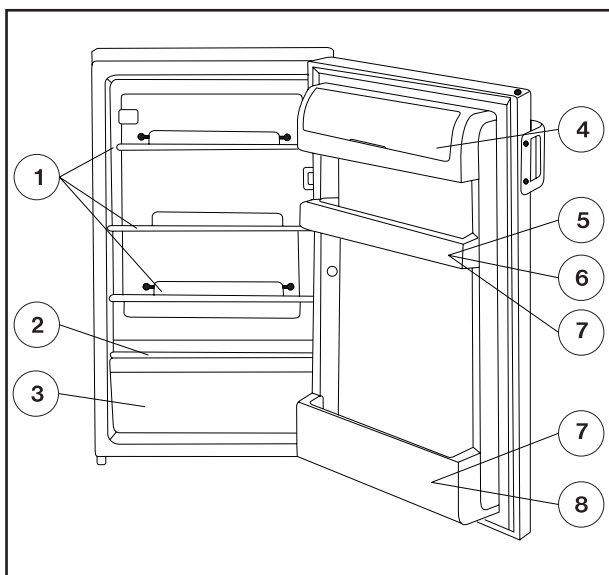
Hints for storage

To obtain the best performance, do not store warm food or evaporating liquids in the refrigerator; do cover or wrap the food, particularly if it has a strong flavour.

Do not cover the shelves with any protective material, such as paper, cardboard or plastic, which may obstruct air circulation through them.

Below is the recommended storage positions for various food types:

1. Ready cooked foods, convenience foods, fresh meat, cold cuts
2. Milk, dairy products
3. Fruit, vegetables and salads
4. Cheese and butter
5. Eggs
6. Yoghurt and sour cream
7. Small bottles, soft drinks
8. Large bottles, drinks



The following tips should help you to ensure that the food in your home is in as perfect condition as possible.

- Keep the time between buying chilled food and placing it in your fridge as short as possible. Tests showed that the temperature of 1 litre of orange juice rose to 22 °C in an hour between the supermarket and home. It then took 11 hours to get down to 7 °C in the refrigerator.

- Keep the refrigerator door closed as much as possible.
- Do not push food together too much, try to allow air to circulate around each item.
- Cool cooked food as quickly as possible but do NOT place in the refrigerator until cool. (Leave food in a cool place in order that it can be placed in the refrigerator as soon as possible).
- Do NOT mix raw and cooked meat, they must be separate containers. Take care not to let the meat juices drip onto other food. If the meat does drip, remove everything and clean thoroughly.
- Do not store food uncovered.
- Remove suspect food from your refrigerator and clean the interior (see „Maintenance & Cleaning”).
- Never allow spills to dry and harden.
- Store eggs in the egg rack provided in the refrigerator door. Discard any broken or chipped eggs.
- Regularly check the door seal to ensure that it is free from debris.
- Always wash your hands in soapy water and dry them with a clean towel before handling food.
- Keep work surfaces clean and avoid cross contamination by not using the same work surface or knife, without washing them thoroughly in between.

Storage time chart

Time and method of storage of fresh foods in the refrigerator

Foods	Storage time in days							Method of packaging
	1	2	3	4	5	6	7	
Raw meat	X	X	x	x	x			cling film, airtight
Cooked meat	X	X	X	x	x	x		dish covered
Roasted meat	X	X	X	x	x			dish covered
Raw minced meat	X							dish covered
Roasted minced meat	X	X	x	x				dish covered
Cold cuts	X	X	x	x				cling film, cellophane, grease-proof paper
Fresh fish	X	x	x					cling film, airtight
Cooked fish	X	X	x	x				dish covered
Tinned fish, open	X	x	x					dish covered
Fresh chicken	X	X	X	x	x	x		cling film, airtight
Fried chicken	X	X	X	x	x	x		dish covered
Fresh duck, goose	X	X	X	x	x	x		cling film, airtight
Roasted duck, goose	X	X	X	X	x	x	x	dish covered
Butter unopened	X	X	X	X	X	X	X	original packaging
Butter opened	X	X	x	x	x	x	x	original packaging
Milk	X	X	X	x	x			original packaging
Cream	X	X	x	x				plastic box
Sour cream	X	X	X	X	x	x	x	plastic box
Cheese (hard)	X	X	X	X	X	X	X	aluminium foil
Cheese (soft)	X	X	X	X	x	x	x	cling film
Egg	X	X	X	X	X	X	X	
Spinach, sorrel	X	X	x	x				cling film
Green peas, green beans	X	X	X	X	x	x	x	cling film
Mushroom	X	X	x	x	x			cling film
Carrot	X	X	X	X	X	X	X	cling film
Tomato	X	X	X	X	X	X	X	cling film
Cabbage	X	X	X	X	X	x	x	cling film
Strawberry, raspberry, etc.	X	X	X	x	x			cling film
Tinned fruits opened	X	X	X	x	x			dish covered
Cakes filled with cream	X	X	x	x				dish covered

Notation:

X recommended storage time

x maximum recommended storage time

Maintenance and Cleaning

Before any maintenance or cleaning work is carried out, **DISCONNECT** the appliance from the **ELECTRICITY** supply.

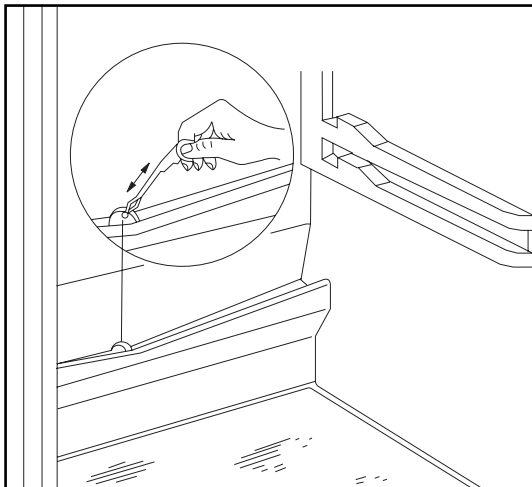
Internal Cleaning

Clean the inside and accessories with warm water and bicarbonate of soda (5ml to 0.5 litre of water). Rinse and dry thoroughly.

NEVER USE DETERGENTS, ABRASIVE POWDERS, HIGHLY PERFUMED CLEANING PRODUCTS OR WAX POLISHES TO CLEAN THE APPLIANCE INTERIOR AS THESE WILL DAMAGE THE SURFACE AND LEAVE A STRONG SMELL.

Clean the drain hole of the water trough at regular intervals and make sure that the drain hole is never obstructed, so that the defrost water may flow freely.

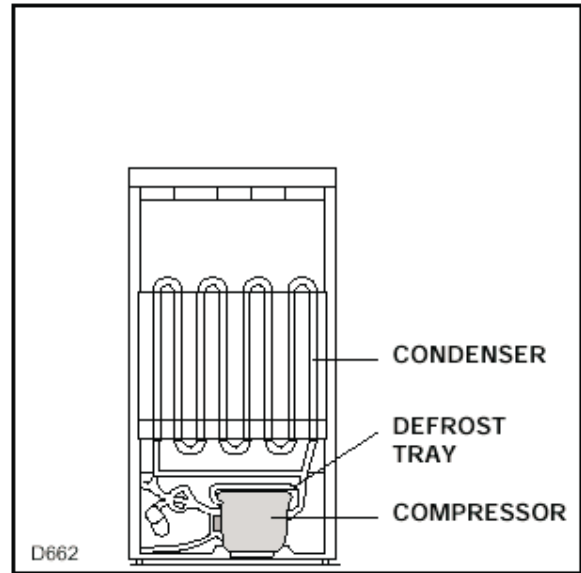
If blocked, carefully clear using a piece of curtain wire inserted into the drain outlet to remove the blockage.



External Cleaning

Wash the outer cabinet with warm soapy water. Do **NOT** use abrasive products.

Once or twice a year dust the condenser (black grill) and the compressor at the back of the appliance, with a brush or vacuum cleaner, see figure.

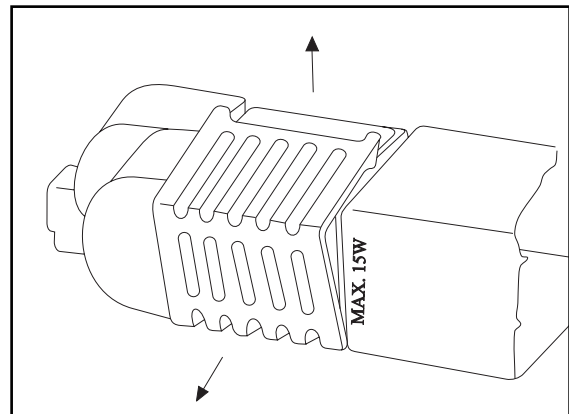


Changing the Light Bulb

Should the interior light fail to work, first switch off the appliance and disconnect from the electricity supply then replace as follows.

Spring off the light cover in the direction of the arrows and replace the bulb with one of the same type (230V, 15W, E14 thread).

After changing the bulb, replace the light cover and reconnect the appliance to the electrical supply.



When the appliance is not in use

When the appliance is not in use for long periods, disconnect from the electricity supply, empty all foods and clean the appliance, leaving the door ajar to prevent the build up of unpleasant odours.

Something Not Working?

Before contacting your local Service Force Centre, please check the following points.

Symptom	Possible Cause	Solution
No power to the appliance.	No power at the socket. There is a power cut. The fuse has blown. Thermostat control is set at „0“.	Check there is power at the socket. Check there is not a power cut by checking the household lights. Check the fuse has not blown. Check the thermostat setting.
The light does not come on.	The bulb is not fitted correctly. The bulb has blown.	Check the bulb and replace if necessary.
The temperature in the appliance is too high.	The appliance is located in an unsuitable position. The thermostat control is set too low.	Check the ambient temperature is within the appliances limits of 10-32 °C. Check that the thermostat control is turned to the correct setting relative to the ambient conditions.
The compressor runs continuously and/or excessive frost and ice has built up.	The thermostat control is set too high. The door is not closed correctly. The door is opened unnecessarily often.	Turn the thermostat control to a warmer setting (lower number). Check that the door is closed and that the gasket is clean and intact. Only open the door for as long as is necessary.
The appliance is noisy	The appliance is not level.	Check that the appliance is stable on all four feet. Refer to the "Normal operating sounds".
Water under the salad bin.	The drain hole is blocked.	Check the drain hole. See „Maintenance and Cleaning“.

If after the above checks there is still a fault, please contact your local Service Force Centre.

In-guarantee customer should ensure that the above checks have been made as the engineer will make a charge if the fault is not a mechanical or electrical breakdown.

Please note that proof of purchase is required for any in-guarantee calls.

Service & Spare Parts

If your appliance requires servicing or you wish to purchase spare parts please contact your local Electrolux Service Force Centre by telephoning:

08705 929929

Your telephone call will be automatically routed to the Service Force Centre which covers your post code area.

For the address of your local Service Force Centre and further information about Service Force, please visit the website at www.serviceforce.co.uk

Before calling out an engineer, please ensure you have read the details under the heading „Something Not Working?“ and have the model number, serial number and purchase date to hand.

Please note that it will be necessary to provide proof of purchase for any in-guarantee service calls. In-guarantee should ensure that the checks under the heading „Something Not Working?“ have been made as the engineer will make a charge if the fault is not a mechanical or electrical breakdown.

ONYX have an agreement with Electrolux who will undertake all servicing requirements for your appliance.

Please note that a valid purchase receipt or guarantee documentation is required for in-guarantee service calls.

Customer Care Department

For general enquiries regarding your Onyx appliance or for further information on Electrolux products please contact our Customer Care Department by letter or telephone as follows.

Customer Care Department

Electrolux
55-77 High Street
Slough
Berkshire
SL1 1DZ

Tel: 08705 950950 *

* calls to this number may be recorded for training purposes.

Guarantee Conditions

Standard guarantee conditions

We, Onyx, undertake that if within 12 months of the date of purchase this Onyx appliance or any part thereof is proved to be defective by reason only of faulty workmanship or materials, we will, at our option repair or replace the same FREE OF CHARGE for labour, materials or carriage on condition that:

- The appliance has been correctly installed and used only on the electricity supply sated on the rating plate.
- The appliance has been used for normal domestic purposes only, and in accordance with the manufacturer's instructions.
- The appliance has not been serviced, maintained, repaired taken apart or tampered with by any person not authorised by us.
- All service work under this guarantee must be undertaken by an Electrolux Service Force Centre.
- Any appliance or defective part replaced shall become the Company's property.
- This guarantee is in addition to your statutory and other legal right.

Exclusions

This guarantee does not cover:

- Damage or calls resulting from transportation, improper use or neglect, the replacement of any light bulbs or removable parts of glass or plastic.
- Costs incurred for calls to put right an appliance which is improperly installed or calls to appliances outside the United Kingdom.
- Appliances found to be in use within a commercial environment, plus those which are subject to rental agreements.
- Products of Onyx manufacture which are not marketed by Onyx.

European Guarantee

If you should move to another country within Europe then your guarantee moves with you to your new home subject to the following qualifications:

- The guarantee starts from the date that you first purchased your product.
- The guarantee is for the same period and to the same extent for labour and parts as exist in the new country of use for this brand or range of products.
- This guarantee related to you and cannot be transferred to another user.
- Your new home is within the European Community (EC) or European Free Trade Ares.
- The product is installed and used in accordance with our instructions and is only used domestically, i.e. a normal household.
- The product is installed taking into account regulations in your new country.

Before you move please contact your nearest Customer Care centre, listed below, to give them details of your new home. They will ensure that the local Service Organisation is aware of your move and able to look after you and your appliance.

France	Senlis	+33 (0) 3 44 62 20 13
Germany	Nürnberg	+49 (0) 800 234 7378
Italy	Pordenone	+39 (0) 800117511
Sweden	Stockholm	+46 (0) 20 78 77 50
UK	Slough	+44 (0) 1753 219898

INSTRUCTIONS FOR THE INSTALLER

TECHNICAL DATA

DIMENSIONS	Height	850 mm
	Width	550 mm
	Depth	600 mm
WEIGHT		34 KG
GROSS CAPACITY:		159 l
NET CAPACITY:		148 l
POWER SUPPLY VOLTAGE & FREQUENCY		220-240 V / 50 Hz
TOTAL POWER ABSORBED		100 W
ENERGY CONSUMPTION: PER DAY		0.60 kWh
	PER YEAR	219 kWh
ENERGY CLASS (According to EU standards)		C

INSTALLING THE APPLIANCE

Transportation and unpacking

The appliance and the interior fittings are protected for transport.

- Remove all packaging and adhesive tape.
- Any remnants of packaging can be removed using white spirit.
- After transportation the appliance must not be switched on for 2 hours, this is to allow the refrigerant to settle.

Cleaning

Wash the inside of the appliance with lukewarm water to which a little bicarbonate of soda has been added (5 ml to 0.5 litre of water). Do not use soap or detergent as the smell may linger. Dry the appliance thoroughly.



Do not use detergents, abrasive powders, highly perfumed cleaning products, wax polishes or products containing alcohol.

Location

The appliance should be positioned in a well ventilated, dry room.

Energy use is affected by the ambient temperature. The appliance should therefore:

- Not be installed next to radiators, cookers or other sources of heat.
- Only be installed at a location where the ambient temperature corresponds to the climate classification, for which the appliance is designed.

The climate classification can be found on the rating plate.

The following table shows which ambient temperature is correct for each climate classification.

Climate Classification	Ambient Temperature
SN	+10 to +32 °C
N	+16 to +32 °C
ST	+18 to +38 °C

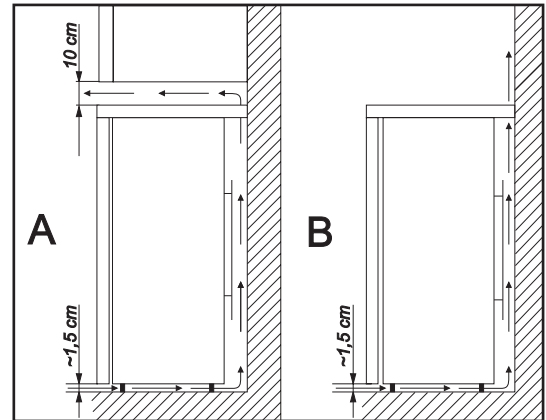
VENTILATION REQUIREMENTS

The appliance must have adequate ventilation to ensure correct operation.

The diagram shows the ventilation requirements when installed:

- A* Under a worktop or cupboard
- B freestanding

* The clearance space of 10cm above the appliance may be reduced to 5cm providing a clearance space of 2.5cm is left either side of the appliance.



LEVELLING

The appliance **MUST** be level. Level the appliance by adjusting the two adjustable feet (1) at the front of the appliance.

If required the washer (2) can be removed.

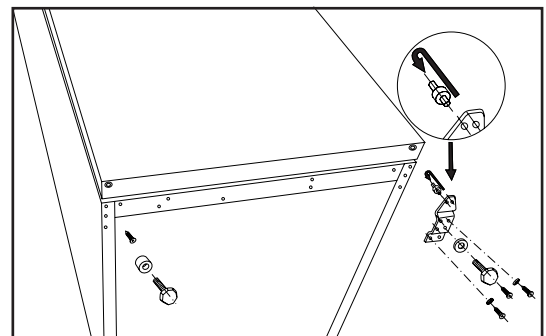
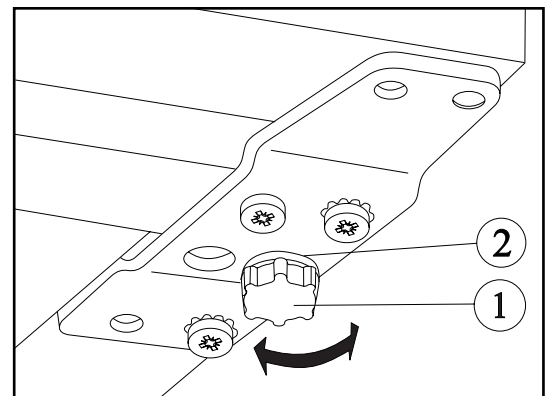
DOOR REVERSAL

Should you wish to reverse the direction that the door opens, follow the instructions and diagrams below.

Ensure that the appliance is disconnected from the electricity supply before reversing the door.

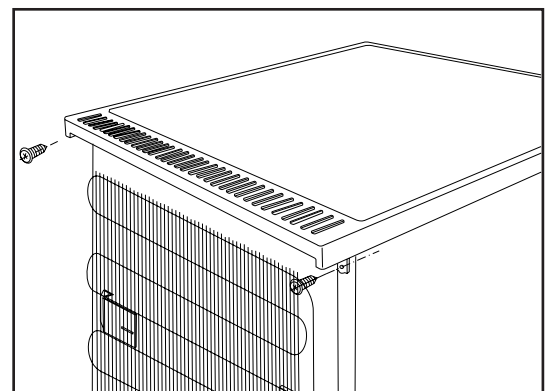
To reverse the bottom hinge assembly proceed as follows:

- Tilt the appliance backwards, resting the top edge of the appliance on a stool or something similar.
- Unscrew the adjustable feet situated on both sides at the front (2 pieces). Remove the lower door hinge plate by unscrewing the 3 retaining screws.
- Remove the hinge pin from the bottom of the door.
- Slot the hinge pin into the hole in the hinge pin plate and relocate the hinge pin assembly to the opposite location and refit using the retaining screws.
- Return the cabinet to an upright position.

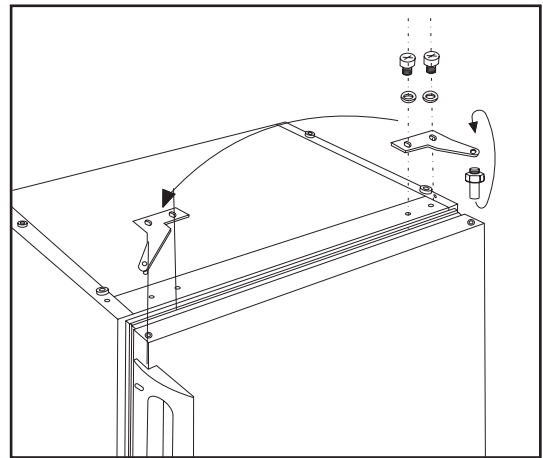


To reverse the top hinge assembly proceed as follows:

- Remove the 2 worktop retaining screws from the back of the appliance.
- Slide the worktop towards the rear and lift it clear of the appliance.
- Remove the 2 upper hinge plate retaining screws.
- Remove the hinge plate from the top of the door.
- Unscrew the hinge pin from the hinge plate and insert it on the opposite side of the plate.

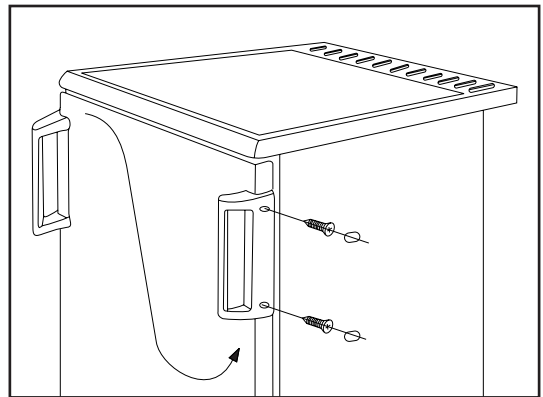


- Rotate the hinge assembly 180° and insert the hinge assembly into the opposite location.
- Refit the 2 hinge plate retaining screws.
- Relocate the worktop and refit the worktop retaining screws.




To reverse the handle proceed as follows:

- Remove screw covers (if fitted) and handle retaining screws. Remove blanking plugs on the opposite side.
- Relocate the handle to the opposite side and refit retaining screws (and covers if fitted), and replace the blanking plugs.



Electrical Connection

 Any electrical work required to install this appliance should be carried out by a qualified electrician or competent person.

This appliance must be earthed.


The manufacturer declines any liability should these safety measures not be observed.

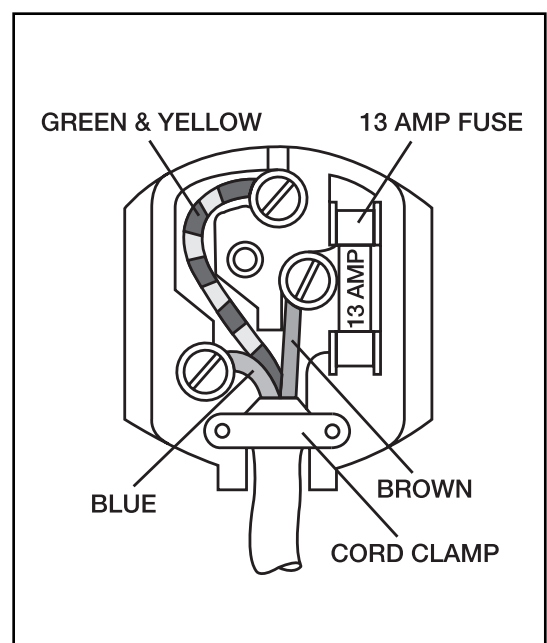
Electrical Requirements

Before switching on, make sure the electricity supply voltage is the same as that indicated on the appliance rating plate.

The appliance is supplied with a 13 amp plug fitted. In the event of having to change the fuse in the plug supplied, a 13 amp ASTA approved (BS 1362) fuse must be used. Should the plug need to be replaced for any reason. The wires in the mains lead are coloured in accordance with the following code:

Green and Yellow:	Earth
Blue:	Neutral
Brown:	Live

The wire coloured green and yellow must be connected to the terminal marked with the letter „E“ or by the earth symbol  or coloured green and yellow.




The wire coloured blue must be connected to the terminal „N“ or coloured black.

The wire coloured brown must be connected to the terminal marked „L“ or coloured red.

Upon completion there must be no cut, or stray strands of wire present and the cord clamp must be secure over the outer sheath.

Ensure that the cut off plug is disposed of safely as there is a danger of an electric shock if it is plugged into another part of your home.

 This appliance complies with the following E.E.C. Directives:

- **73/23 EEC** of 19.02.73 (Low Voltage Directive) and subsequent modifications,
- **89/336 EEC** of 03.05.89 (Electromagnetic Compatibility Directive) and subsequent modifications.

The Electrolux Group is the world's largest producer of powered appliances for kitchen, cleaning and outdoor use. More than 55 million Electrolux Group products (such as refrigerators, cookers, vacuum cleaners, chain saws and lawn mowers) are sold each year to a value of approx. 14 billion USD in more than 150 countries around the world.

 ***From the Electrolux Group. The world's No.1 choice.***